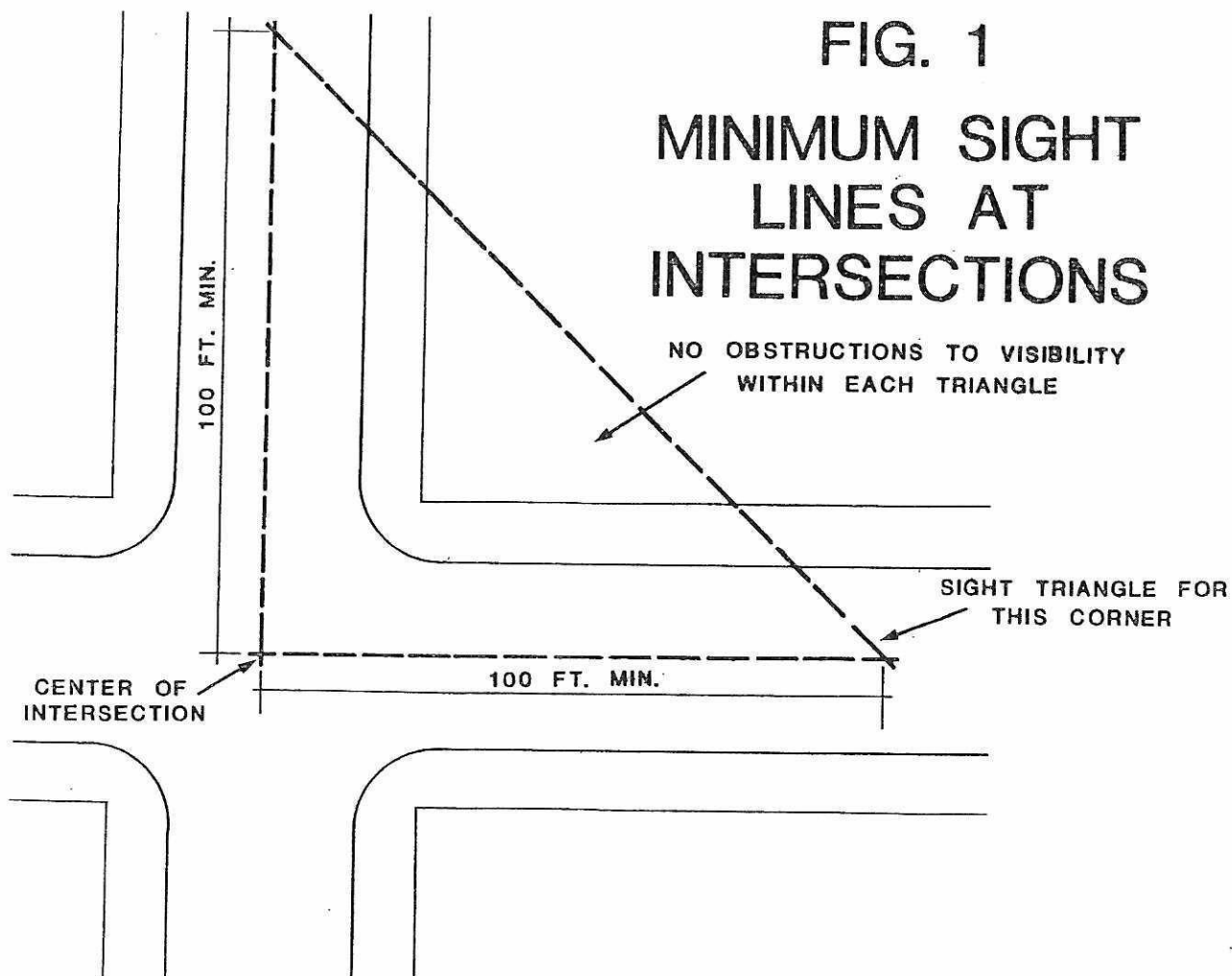


# FIG. 1 MINIMUM SIGHT LINES AT INTERSECTIONS



# FIG. 2 MINIMUM REVERSE CURVES

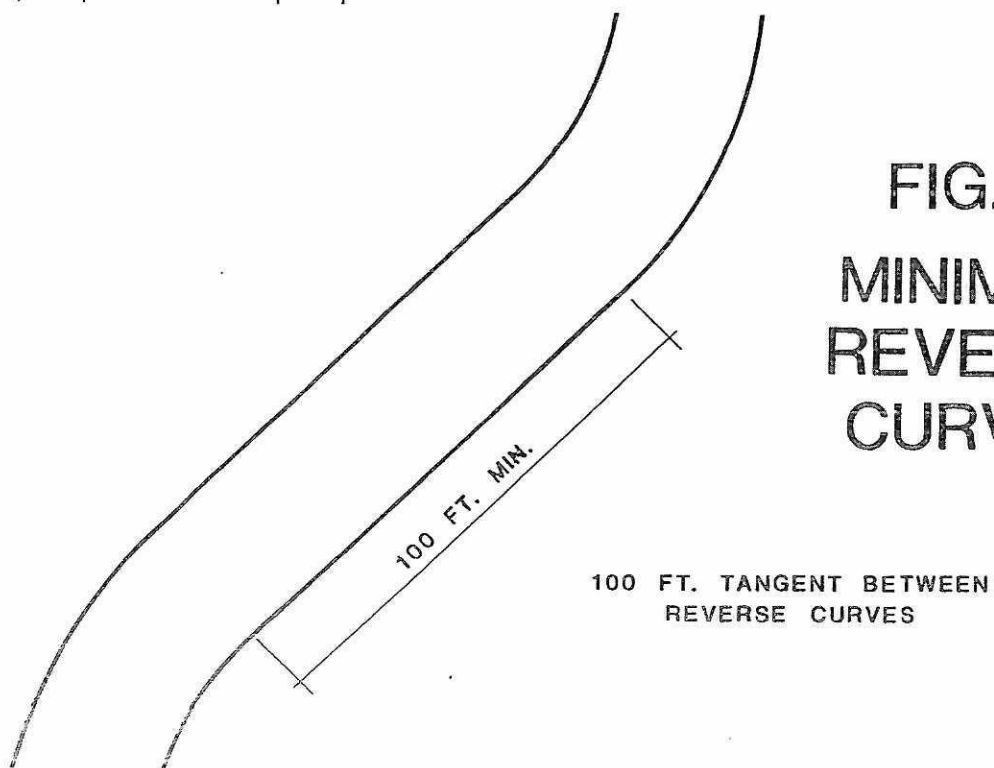
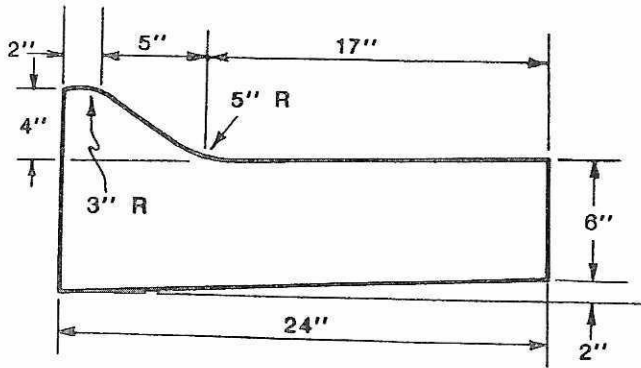
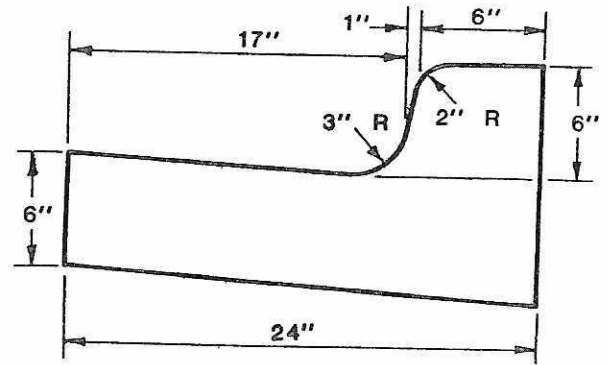


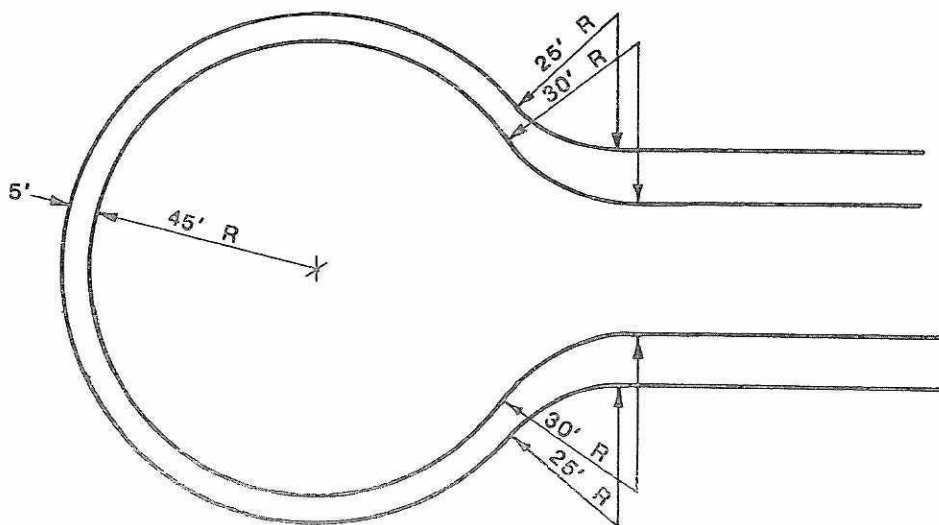
FIG. 3  
TYPICAL CURB AND GUTTER



ROLLED CURB



VERTICAL CURB

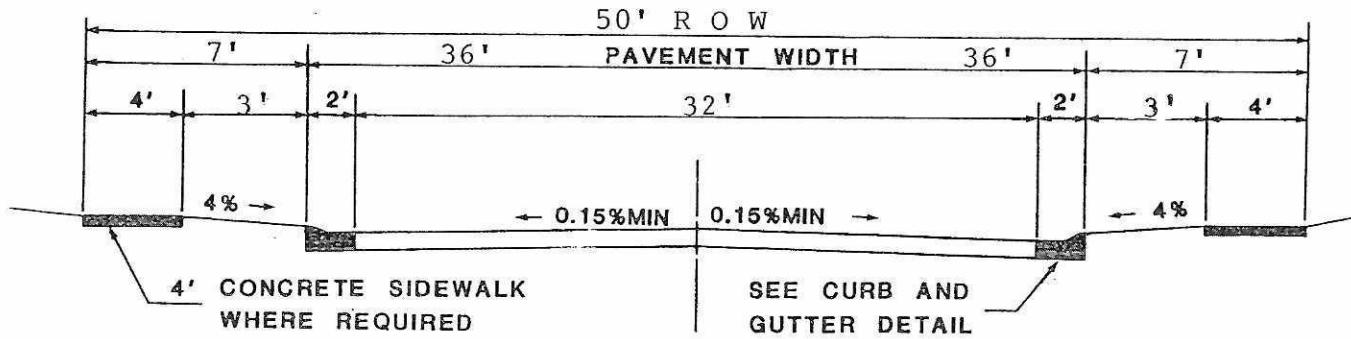


TYPICAL CUL-DE-SAC

# FIG.4

## TYPICAL SECTION

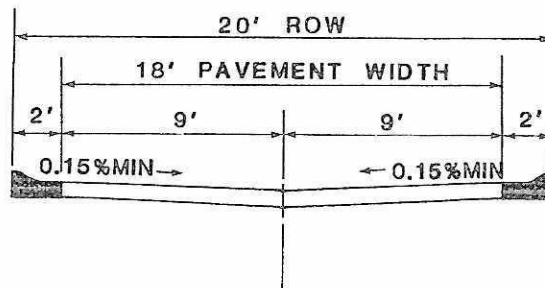
LOCAL STREETS



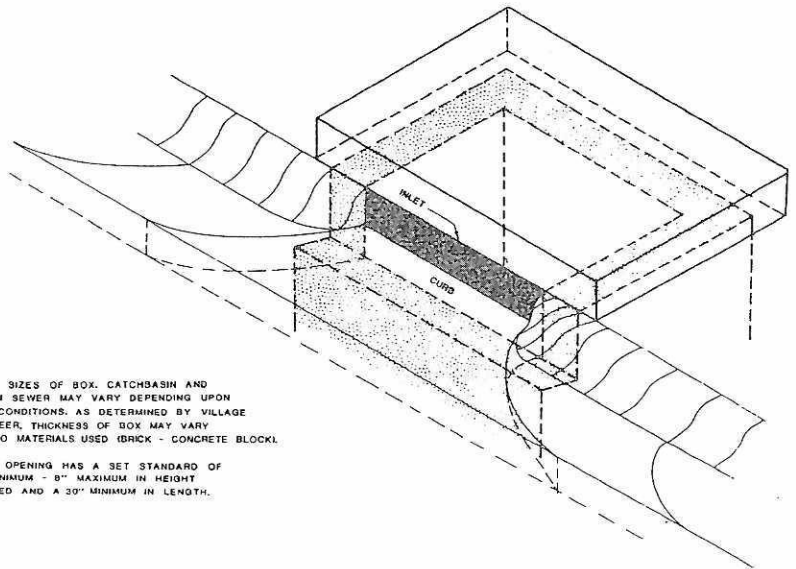
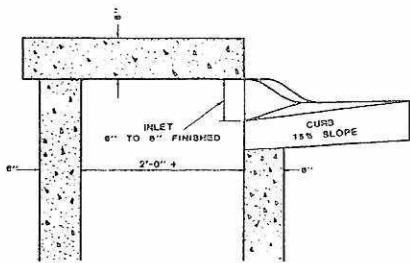
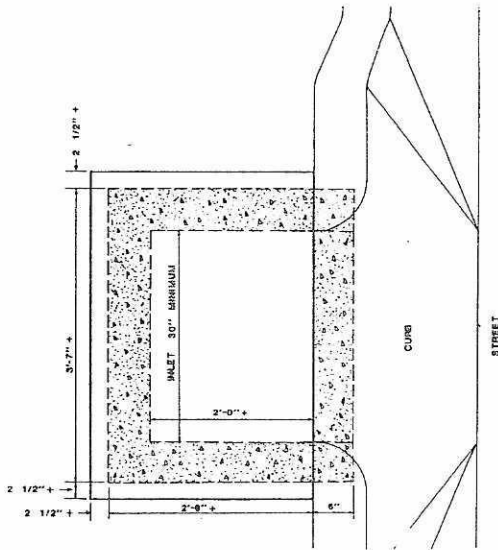
(See section 34-3-6)

## TYPICAL SECTION

### ALLEY

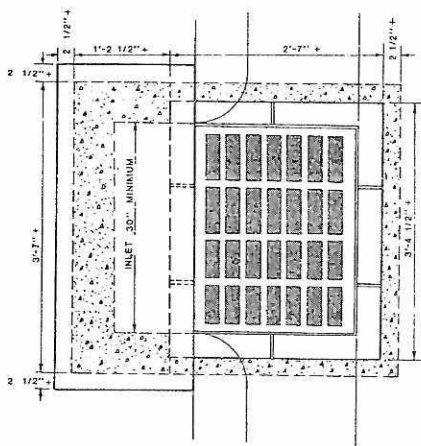


# FIG. 5 INLETS



NOTE: SIZES OF BOX, CATCHBASIN AND STORM SEWER MAY VARY DEPENDING UPON SITE CONDITIONS, AS DETERMINED BY VILLAGE ENGINEER. THICKNESS OF BOX MAY VARY DUE TO MATERIALS USED (BRICK - CONCRETE BLOCK).

INLET OPENING HAS A SET STANDARD OF 8" MINIMUM - 8" MAXIMUM IN HEIGHT FINISHED AND A 30" MINIMUM IN LENGTH.



NOTE: SIZES OF BOX, CATCHBASIN AND STORM SEWER MAY VARY DEPENDING UPON SITE CONDITIONS, AS DETERMINED BY VILLAGE ENGINEER. THICKNESS OF BOX MAY VARY DUE TO MATERIALS USED (BRICK - CONCRETE BLOCK).

INLET OPENING HAS A SET STANDARD OF 8" MINIMUM - 8" MAXIMUM IN HEIGHT FINISHED AND A 30" MINIMUM IN LENGTH.

